

Sumitomo Crawler Crane Idler



1. Sumitomo Front Idler Specification:

Technology	Casting
Feature	Heat treated Sprocket
Application	Sumitomo Crawler Crane Undercarriage Parts
Important Parts	Roll, Axis, Bearing, Sealing
Color	Black or Customize
Hot-Sale	SC400 Idler, SC500 Idler, LS118-5 Idler,

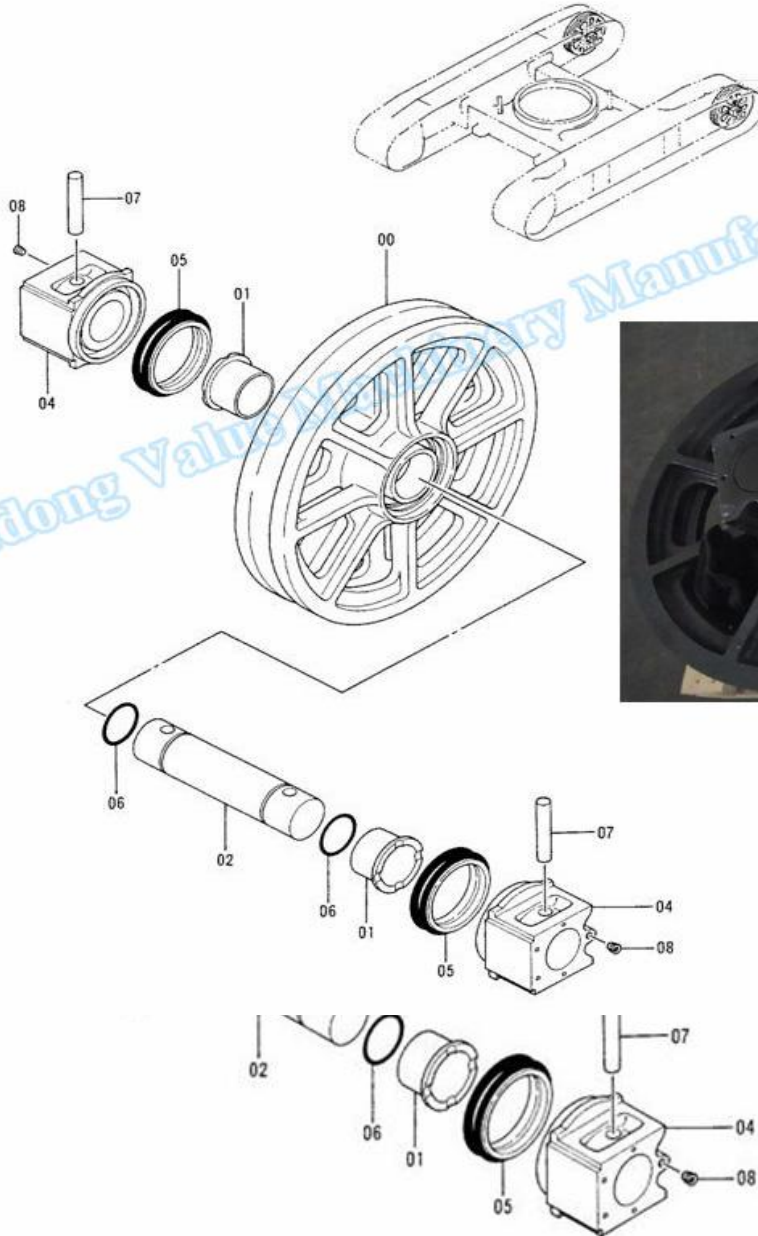
2. Sumitomo Front Idler Wheels are suitable for those model:

Sumitomo	SC350, SC400, SC500, SC500-2, SC550-2, SC650, SC650-2, SC650DD-2, SC650-3, SC700, SC700-2, SC800, SC800HD, SC1000, SC1000-2, SC1500-2; LS78RH, LS78RM, LS78RH5, LS78RHD5, LS98, LS108RH5, LS100C, LS118RH3, LS118RH5, LS118RM, LS120RH5, LS138H, LS138RH5, LS208H, LS218H, LS218H5, LS238RH2, LS238RH3, LS238RH5, LS248RH5, LS458HD, LS468HD, LS518, LS528, LS528-S; SD205, SD307, SD407, SD510, SD610
----------	--

3. Sumitomo Front Idler Wheel

Crawler Crane Idlers wheel could provide superior structural support for crawler crane undercarriage parts.

FRONT IDLER



Handong Valve Industry Manufacture Co., Ltd.

4. Package Information & Delivery:

Generally, 2pcs Sumitomo idler wheels are packed in one Pallet, wrapped in Thin film, and put shipping marks on the packages.

PACKAGE & DELIVERY



2pcs Sprockets are packed in one Pallet



Each Package is wrapped in Thin film, and put shipping marks on the packages.



Parts in the Container



Parts are delivered to Port

FAQ

Q Does the crawler crane Idler have heat treatment?

- Yes, all the Idler undergo heat treatment, hardening and tempering.

Q What is the warranty period of the Idler?

- Crawler Crane Idler warranty period is 2000 working hours.
- After delivery, we will issue quality certificate. If the Idler are damaged under normal use in warranty period, new one will be send to you as soon as possible.

Q How long is the delivery time?

- We have parts storehouse covered the area of 3000m².
- Most parts are available in stock. If no stock, we will delivery the parts in 15-25 days after getting your final purchasing order.

Q Do you provide samples?

- Yes, we can offer part samples, but the cost shall be borne by you.

Q Can you produce parts according to sample or drawing?

- Yes, our engineers have rich experience in undercarriage parts, they will choose the suitable material and production technology for you.

Shandong Value Machinery Manufacture Co.,LTD

Add : NO.1 Tianzheng Road,Laishan District,Yantai City,Shandong Province,China

Tel : +86 535 6710636

Fax : +86 535 6710836

E-mail : info@valuetrackpart.com

Website : www.valuetrackparts.com